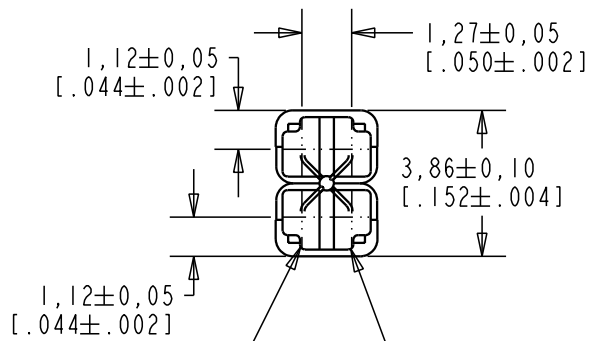
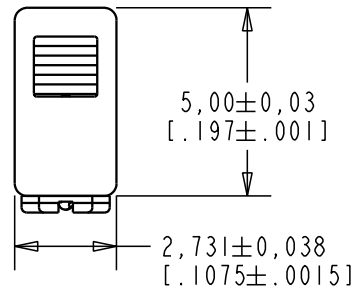


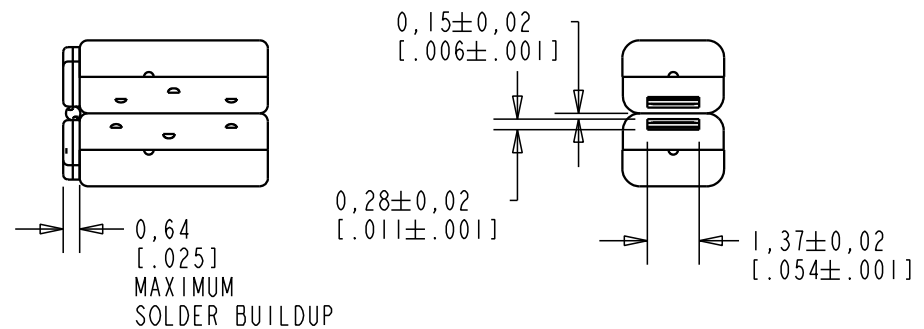
SWFK-32881-000
SHT 1.1

NOTES:

1 A POSITIVE GOING VOLTAGE AT TERMINAL 2, RELATIVE TO TERMINAL 1, CAUSES A DECREASE IN PRESSURE AT THE SOUND OUTLET.



1 TERMINAL 1 (NEGATIVE) TERMINAL 2 (POSITIVE)



SCALE 2:1
NOMINAL WEIGHT 0.19 GRAMS
DIMENSIONS IN MILLIMETERS [INCHES]

KNOWLES CORPORATION

Revision	C.O. #	Implementation Date	RELEASE LEVEL	REVISION
A	PI0000380	4-13-16	Active	A
SCALE: 5:1			DR. BY: NANC	DATE: 4-13-16
DO NOT SCALE DRAWING			CK. BY: GJP	DATE: 4-13-16
TITLE: RECEIVER		SWFK-32881-000	APP. BY: GJP	DATE: 4-13-16
OUTLINE DRAWING		SHT 1.1		

A PAIR OF MAGNETIC BALANCED ARMATURE RECEIVERS WITH TAPERED REED INTENDED FOR USE AS THE HIGH FREQUENCY DRIVER IN A HI-FI SYSTEM.

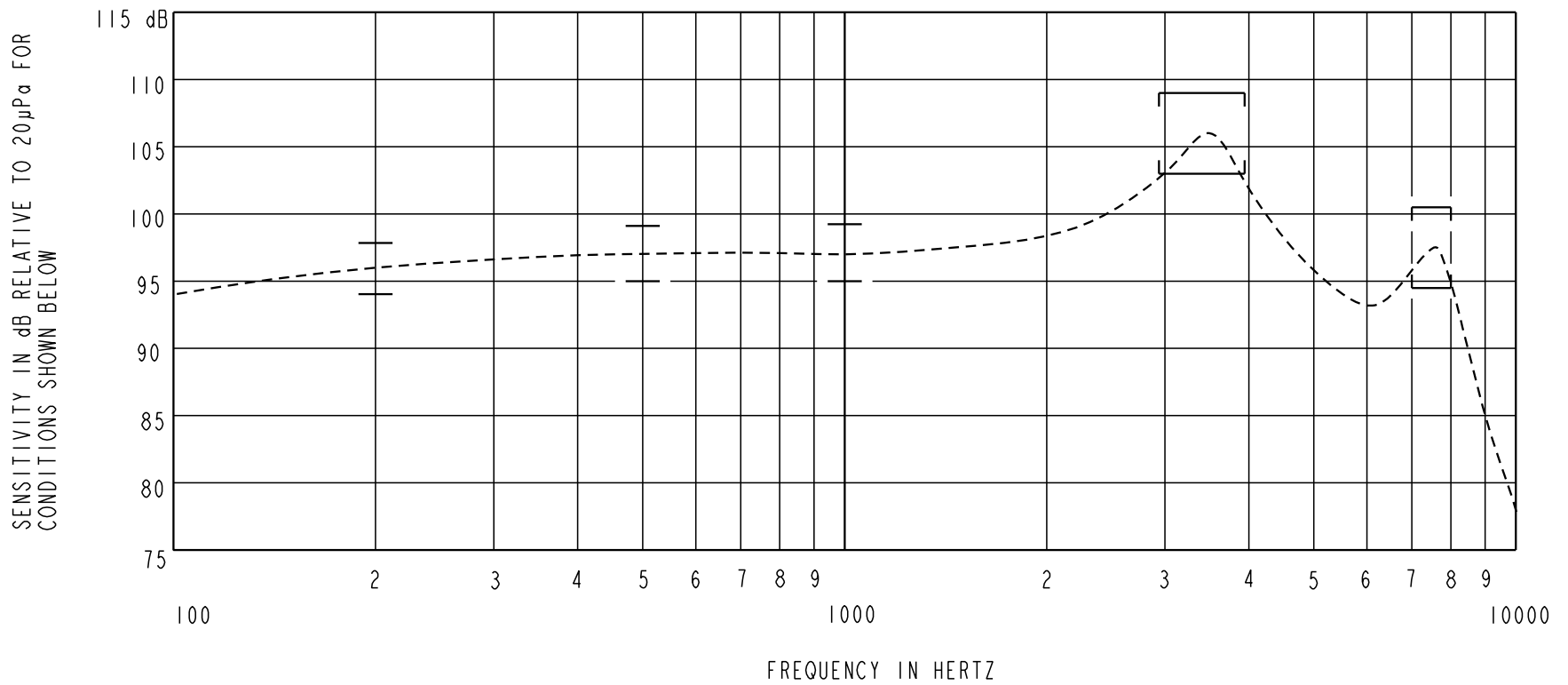
NO DAMPING

SWFK-32881-000

SHEET 2.1

NOTE: SPECIFICATIONS FOLLOWED BY AN ASTERISK (*) ARE 100% TESTED.

CONSTANT VOLTAGE CONDITIONS



ACOUSTICAL

SENSITIVITY*
 DEVICE WILL PRODUCE THE SPL LISTED BELOW UNDER TEST CONDITION IN TABLE 3.
 NOMINAL SENSITIVITY AT 1kHz IS dB RELATIVE TO 20 μ P_a. ALL OTHER VALUES
 IN dB RELATIVE TO THE SENSITIVITY AT 1kHz.

FREQUENCY (Hz)	MINIMUM	NOMINAL	MAXIMUM
200	-3.0	-1.0	+1.0
500	-2.0	0.0	+2.0
1000	-2.0	97.0	+2.0
2950-3950 PEAK 1	+6.0	+9.0	+12.0
7000-8000 PEAK	-2.5	+0.5	+3.5

TABLE 1

TOTAL HARMONIC DISTORTION*
 DEVICE WILL NOT EXCEED TOTAL HARMONIC DISTORTION LEVELS LISTED BELOW.

FREQUENCY (Hz)	AC DRIVE (V rms)	DC BIAS (V)	LIMIT (%)
1/3 PEAK 1	.094	0	5
1/2 PEAK 1	.094	0	5
1/2 PEAK 1	.265	0	10

TABLE 2

TEST CONDITIONS

NOMINAL SOURCE VOLTAGE	.094 V rms, 0 mA DC BIAS
SOURCE IMPEDANCE	<0.2 Ohm
TUBING	10mm [.394"] LONG, 1mm [.039"] I.D.
COUPLER CAVITY	2 CM ³ , SIMULATED ANSI S3.7 TYPE HA-3 (IEC 60318-5)

TABLE 3

ELECTRICAL

DC RESISTANCE	6.3 Ohms \pm 10%*
IMPEDANCE @ 500 Hz	6.6 Ohms \pm 20%*
IMPEDANCE @ 1kHz	7.0 Ohms \pm 20%*

TABLE 4

ISOLATION: CASE WILL BE ELECTRICALLY ISOLATED FROM THE COIL CIRCUIT.

MECHANICAL

PORT LOCATION: 12N
 SOLDER TYPE: SAC305
 TEMPERATURE
 OPERATING: SENSITIVITY WILL NOT VARY MORE
 THAN +1 / -3 dB FROM -17°C TO 63°C.
 STORAGE: -40°C TO 63°C.

Revision	C.O. #	Implementation Date	RELEASE LEVEL	REVISION
			Active	A
A	PI0000380	4-13-16		
WHEN TEST LIMITS ARE USED TO ESTABLISH INCOMING INSPECTION ACCEPTANCE/REJECTION CRITERIA, CORRELATION OF TEST EQUIPMENT WITH KNOWLES IS ALSO REQUIRED FOR ELIMINATION OF EQUIPMENT AND TEST METHOD VARIATION				
TITLE: RECEIVER			SWFK-32881-000	DR. BY DATE
PERFORMANCE SPECIFICATION			SHT 2.1	NANC 4-13-16
				CK. BY DATE
				GJP 4-13-16
				APP. BY DATE
				GJP 4-13-16

KNOWLES CORPORATION